

SIGN	DATE	DESCRIPTION	APPROVER
△			
△			
△			

Technical Data:

Material:


- Contact(metal housing): Brass Stamping
- Terminal screw: Steel galvanized and chromitized or Nickel plated or Tin plated (standard) (option)
- Wire guard: Copper Alloy
- Surface of solder tail: Tin plated
- Insulator body(housing): Polyamide(Glass filled)(UL94V-0)

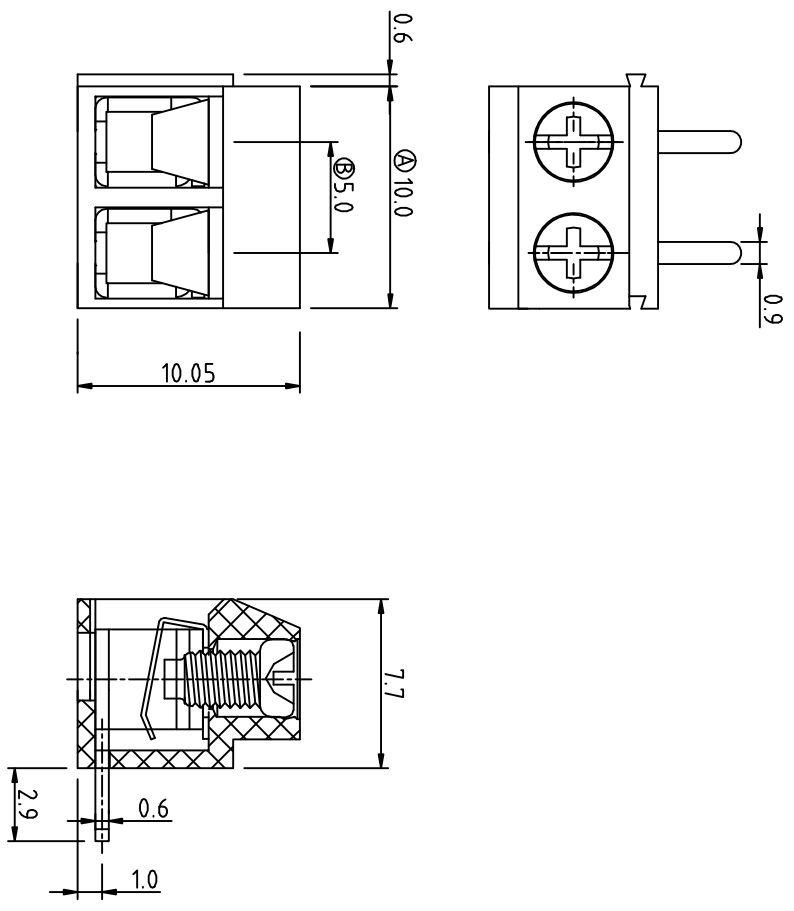
Electrical

- Voltage rating: 300VAC
- Current rating: 10 Amps/way max
- Contact resistance: 20mΩ (max)
- Insulation resistance: 5000M Ω/1000V
- Withstanding Voltage: 2000VAC(1min) Test time=60sec/1pcs
- Wire range: 14-26AWG

Mechanical:

- Torque: 4kgf.cm/M2.5
- Operating temperature: -33 C to +120 C
- Soldering reliability: Test temperature= 250 C 10 C 5 seconds max

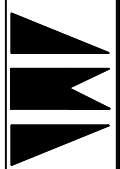
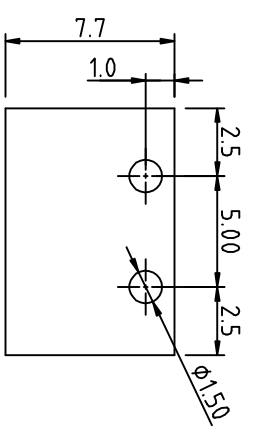
Safety approval deta: 



POLE	2P	
A	NX5.0	10.0
B	(N-1) X5.0	5.0

N=Number of contacts

P.C.B. LAYOUT



**杰科电子有限公司**  
JIE KE ELECTRONICS CO., LTD.

PART NAME: JK126R 500 2P

TITLE:

PART NO.:

DWG NAME:

APPROVED BY

CHECKED BY

DESIGNED BY

DRAWN BY

CUSTOM NO.:

Tolerance

安杰

孙学丰



UNITS: mm  
SCALE: 4/1  
REVISION: B1

X: ±0.50  
X.X: ±0.30  
X.XX: ±0.10  
X.XX: ±1°