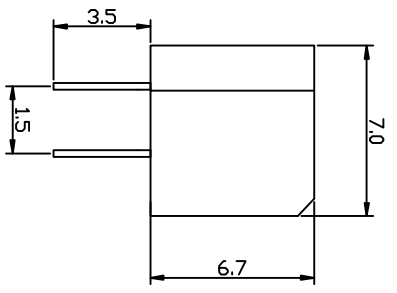
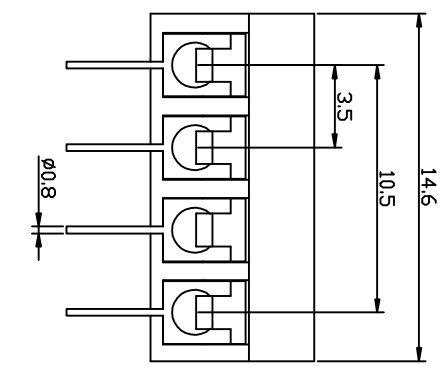
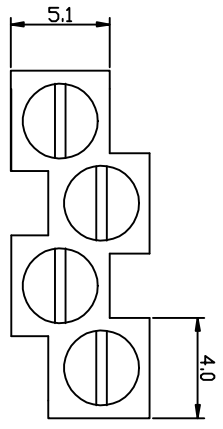
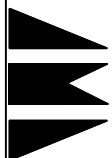


SIGN	DATE	DESCRIPTION	APPROVER
Δ			
Δ			
Δ			

- Technical Data:
- Voltage rating: 125VAC
 - Current rating: 10Amps/way max
 - Insulation resistance: 5000MΩ/1000V
 - Withstanding Voltage: 2000VAC(1min)
 - Wire range: 16-26AWG
 - Mechanical:
 - Torque: 2kgf.cm/M2
 - Operating temperature: -33°C to +120°C
 - Safety approval data: **RA**





杰科电子有限公司

 JIE KE ELECTRONICS CO., LTD.

PART. NAME: JKK9034 4P TITLE:

PART. NO.: DWG NAME:

APPROVED BY	CHECKED BY	DESIGNED BY	DRAWN BY	CUSTOM NO.:	UNITS:mm	Tolerance
孙杰		孙学丰		SCALE:4/1	REVISION:4	X: ±0.50 X.X: ±0.30 X.XX: ±0.10 X.XX° ±1°

