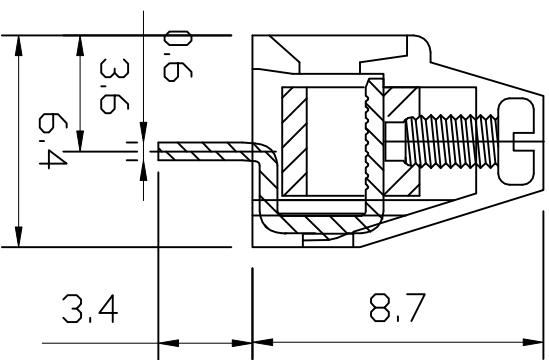
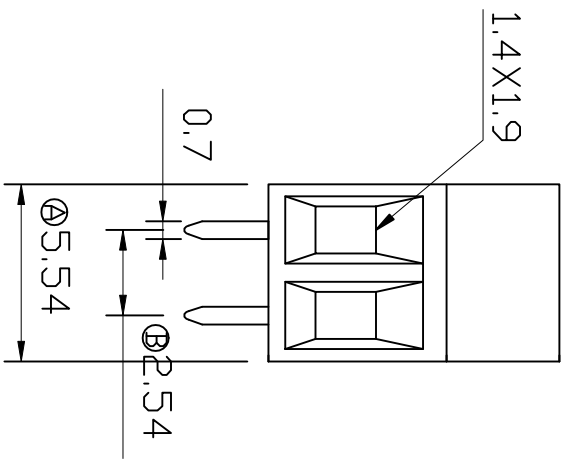
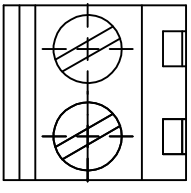


Δ							
Δ							
Δ							



POLE	2P	
A	NX2.54+0.46	5.54
B	(N-1) X2.54	2.54

Technical Data:

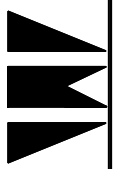
Material:
 Contact(metal housing): Brass (CuZn)
 Terminal screw: Steel galvanized and chromate
 or Nickel plated or Tin plated(standard)(optian)
 Wire guard: Stainless steel
 Surface of solder tail: tin plated
 Insulator body(housing): Polyamide(Glass filled)(UL94V-0)

Electrical
 Voltage rating: 150VAC
 Current rating: 6 Amps/way max
 Contact resistance: 20m (max)
 Insulation resistance: 5000MΩ/1000V
 Withstanding Voltage: 2000VAC(1min) Test time=60sec/1pcs
 Wire range: 18-30AWG

Mechanical:
 Torque: 15kg-cm/M1.5
 Operating temperature: -33°C to +120°C
 Soldering ability: 95%coverage(min)
 Test temperature= 230°C±10°C
 Test time= 4sec±0.5sec
 Soldering reliability:
 Test temperature= 250°C±10°C
 5 seconds max

N=Number of contacts

P.C.B LAYOUT



杰科电子有限公司
 JIE KE ELECTRONICS CO., LTD.

PART. NAME: JK308-2.54 2P		TITLE:	
PART. NO.:		DWG NAME:	
APPROVED BY	CHECKED BY	DESIGNED BY	DRAWN BY
安杰		孙学丰	
CUSTOM NO.:		Tolerance	
UNITS: mm		x: ±0.50	
SCALE: 4/1		x x: ±0.30	
REVISION: B3		x x x: ±0.10	
		x x x: ±1°	